

ULMA

VEGGIE & VEGAN



TFS 500
Thermoforming

Thermoform, Fill & Seal Machine

The TFS 500 model is part of the new ULMA TFS thermoforming line. This is an entirely new machine design concept. ULMA has redesigned every section of the thermoforming machine, to surpass the rigorous hygiene and deep cleaning requirements demanded by today's food and medical packaging industry.

The machine characteristics make it highly desirable for mixed production requirements, since formats can be easily changed to meet the needs of the customer. It's versatility, easy operation, and quick size change also make it suitable as a support machine for short run products, capable of both flexible and rigid packaging up to 700µ.



TFS 500



Operator friendly interface



Quick and easy access



Ultimate hygienic design

Thermoform, Fill & Seal Machine

TECHNICAL SPECIFICATIONS

- ▶ Modular construction.
- ▶ Entire stainless steel structure to AISI 304.
- ▶ Main frame length starting at 3600 mm.
- ▶ Inclined surfaces allow water to drain during cleaning.
- ▶ Easy open side guards, allowing the inside of the machine to be cleaned.
- ▶ Design that repels the accumulation of contamination residue.
- ▶ Sealed and continuous welds used in the fabrication process.
- ▶ Different types of lifting systems for the moulds are available.
- ▶ Top film reel holder independent of the cabinet.
- ▶ Gate for film unwinding.
- ▶ Components with protection level – IP 65 as standard.
- ▶ IP-67/IP-69 option in dark zones.
- ▶ Minimised use of internal wiring.
- ▶ Independent main electrical cabinet (moveable).
- ▶ IPC Control.
- ▶ Optional MODEM (communication with ULMA) and OPC (real time access).
- ▶ Control panel:
 - Adjustable.
 - Touch screen display.
 - Tactile switches.
 - Easy operator communication interface (graphic display optional).
- ▶ Integration and/or peripheral connection.
- ▶ Easy change formats.
- ▶ Low maintenance.
- ▶ Reduced consumption.
- ▶ Optional - change of package height and automatic adjustable mould opening.



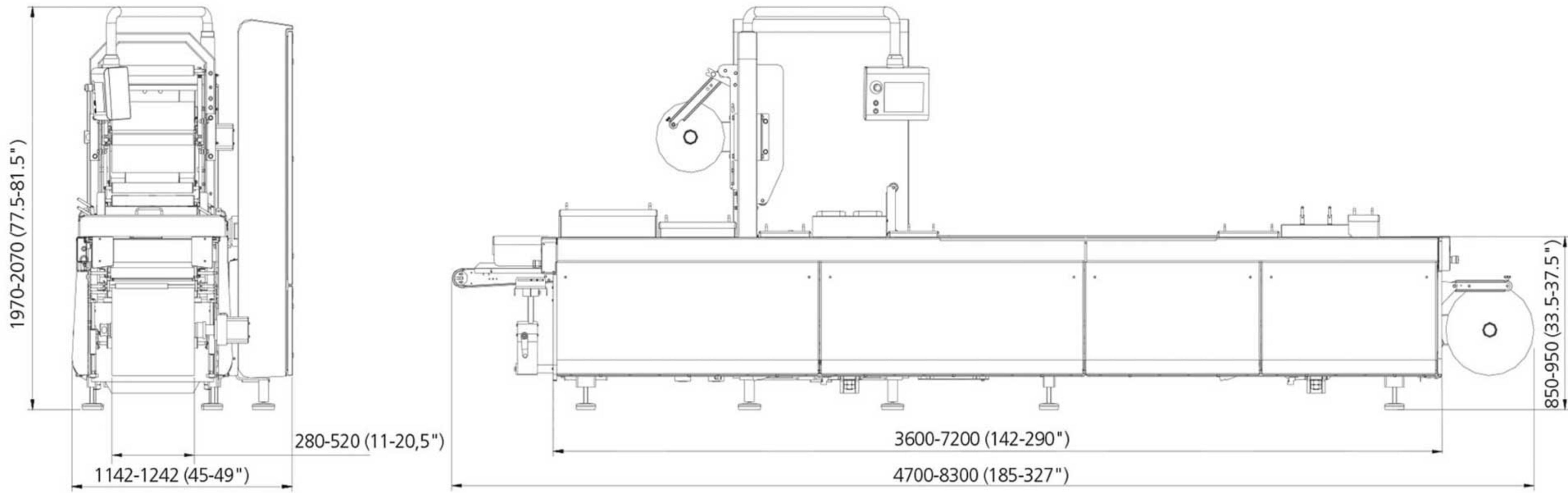
Hygienic pneumatic lifting systems



shaped cuts



Easy format change



TECHNICAL FEATURES

TFS 500

FILM WIDTHS	280 - 520 mm. (11" - 20.5")
ADVANCE (MAX.)	500 mm. (20")
DEPTH (MAX.)	150 mm. (5.8")
ROLL DIAMETER	Top 350 mm. (13 3/4") - Bottom 400 mm. (15 3/4")
CORE DIAMETER (MAX.)	76/152 mm. (3/6")
LOADING AREA	Expandable from 400 mm. (15 3/4")
WATER CONSUMPTION	80 - 130 l/h, 10°C
PNEUMATIC CONSUMPTION	*800 - 1000 l/min, 7 - 10 bars
ELECTRICAL SPECIFICATIONS	230/400V. triphase +/-10% + Neutral + ground 50/60 Hz - *15-30Amp (400V), 20-63Amp (230V)

ULMA reserves the right to change the specifications without prior notice.

* depending on the equipment.



ULMA Packaging

Thanks to an experience of 50 years, we are a worldwide reference in the design and manufacturing of high-tech packaging systems and equipment.

By embracing innovation in our core values, and by striving to provide outstanding new solutions and services to our customers & prospective customers, we hope to surpass their expectations.

The whole world is our market, thanks to our extensive network of subsidiaries, distributors & agents.

For further information on ULMA PACKAGING products, please visit:

www.ulmapackaging.com

