

**ULMA**

LÁCTEOS Y QUESOS



**FM 300**  
Flow Pack

# Horizontal flow wrapping machine

LÁCTEOS Y QUESOS



# FM 300



Front loading reel holder for an easy access



Box Motion sealing head for a great flexibility



Touch screen control panel on a swivel arm

# Horizontal flow wrapping machine

FM 300 is a machine developed to pack fresh food products in a Flow-Pack (pillow pack) style bag with three seals.

This model has been developed in the ULMA Packaging Technological Center by a combined team made of specialized engineers and researchers. The result is a machine that incorporates the state of the art packaging technology, to satisfy the most exigent requirements in the food industry.

The construction made fully in stainless steel and on a cantilevered frame, its high degree of protection against moisture, together with its design made of parts that can be easily disassembled to sanitize the machine, turns the FM 300 machine into the ideal packaging machine for a very wide range of applications in the fresh food industry.

The FM 300 machine is equipped with a Box Motion sealing head powered by two independent motors. This technology provides a very high degree of flexibility and allows also to obtain very high quality hermetic seals in those versions dedicated to MAP, without losing its great production capacity.

## TECHNICAL CHARACTERISTICS

- ▶ Electronic machine powered by several independent motors that are synchronized and controlled by an Industrial PC based motion control system. All these features and technologies make a very flexible and highly versatile machine, and reduce product changeover time to minimum levels.
- ▶ The machine is fully built on a cantilevered stainless steel frame, to ensure the maximum hygiene and sanitation levels. The design prevents dirt trap areas and also provides easy access to the drive components for maintenance.
- ▶ In-feed conveyor is designed so that it can be easily removed and disassembled to simplify its cleaning and sanitation.
- ▶ Front loading reel holder with a pneumatic film roll fastening system makes the reel changeover easy for the operators.
- ▶ Fully flexible folding box to adapt the film
- ▶ The machine stores the product height, so that it is recalled with every product changeover. The machine then automatically sets the sealing roller height and the cross sealing jaws centre to the stored position.
- ▶ Box Motion sealing head powered by two independent motors, to provide a very high degree of flexibility and high quality hermetic seals in the versions dedicated to MAP, without losing the production capacity.
- ▶ Temperature regulation is independent for the different sets of rollers and also for the Top and Bottom sealing jaw. Temperature regulation is integrated in machine's touch screen.
- ▶ Machine's control panel is located on a swivel arm so that it can be easily accessed from any machine position. It is equipped with a touch screen that uses very intuitive menus in a very user friendly environment.
- ▶ The "No product - no bag" and "Misplaced product" functions are standard in this machine

## MAIN OPTIONAL ELEMENTS

- ▶ Required versions are available for different films (BOPP, shrink film, barrier laminates OPA/PE or similar,...) .
- ▶ Print registration photocell.
- ▶ "On-line" gas analyzing systems.
- ▶ Wide variety of in-feed conveyor designs is available in variable lengths to accommodate the required lay-out.
- ▶ Wide variety of printing equipment.
- ▶ Interface to production control software.



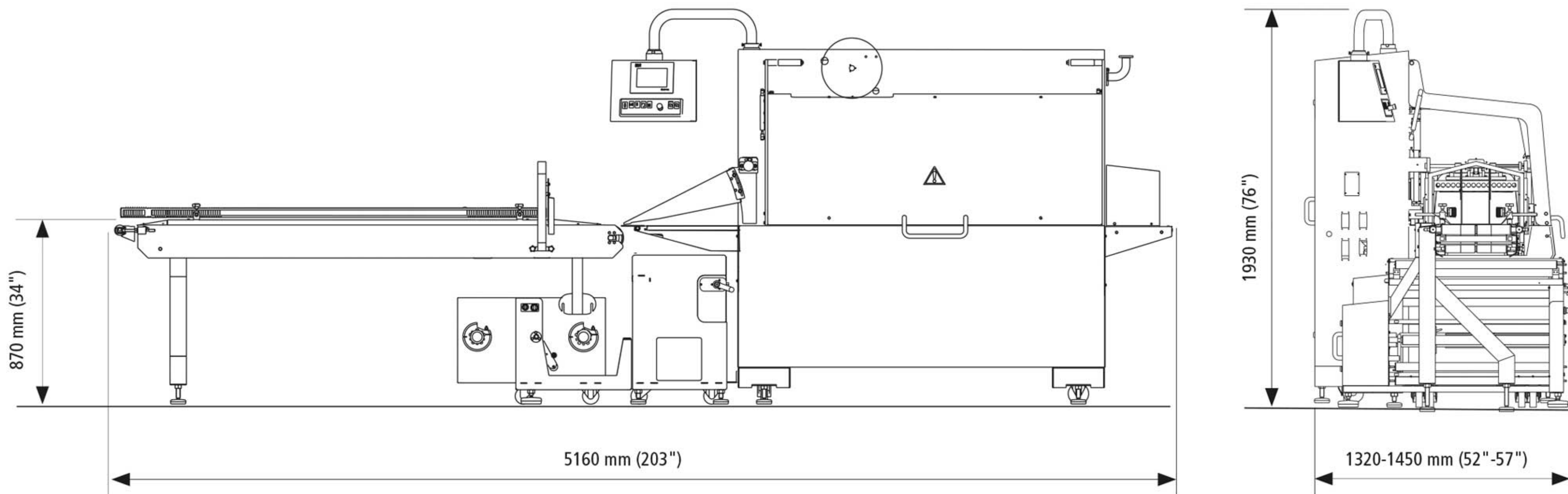
Tool-less detachable in-feed conveyor



Fully flexible holding box



Openable top cover shrink tunnels



SPECIFICATIONS / MODELS

<b>PRODUCT DIMENSIONS</b> <small>(All maximum and minimum dimensions may not be attainable at the same time)                  (Check for other dimensions)</small>	Length	100 - ∞ mm. (4" - ∞)
	Width	70 - 300 mm. (2.7" - 12") (narrower products on request)
	Height	10 - 225 mm. (0.4" - 8.9")
<b>PACKAGING MATERIAL</b>		BOPP, P-Plus, Shrink Polyolefin, Barrier laminated film, BDF barrier shrink film, ...
<b>SPEED</b> <small>(Maximum and minimum dimensions might not be compatible with maximum speed)</small>	Up to 80 packs / min. – 25 m / min. film. <small>(dependant on product characteristics and dimensions)</small>	
<b>FILM WIDTH CAPACITY</b>		700 mm. (27.5") option 900 mm. (35.4")
<b>MAXIMUM ROLL DIAMETER</b>		350 mm. (11.8")
<b>CORE DIAMETER</b>		76 ± 5 mm. (3" ± 0.2") - 152 ± 5 mm. (6" ± 0.2")
<b>ELECTRICAL CONSUMPTION</b>	Voltage	230/400 V. three-phase +N +T 50/60 Hz.
	Installed power	7 kVA. at 400 V
<b>PNEUMATIC CONSUMPTION</b>		100 litres/min. at 6 bars
<b>APPROXIMATE DIMENSIONS (LxAxH)</b>		5160 x 1340 x 1950 mm. (203" x 53" x 77")
<b>APPROXIMATE WEIGHT</b>		1200 Kg.

ULMA reserves the right to change the specifications without prior notice.



ULMA Packaging

Thanks to 50 years' experience, we are a worldwide reference in the design and manufacturing of high-technology packaging equipment and systems.

50 years of progressing, innovating and perfecting our technology and services. A wide network at your service to offer you solutions all over the world and to give full satisfaction to anyone who places his trust in us.

For more information, please see our website:

[www.ulmapackaging.com](http://www.ulmapackaging.com)