

ITEC[®]
FRONTMATEC
 By Fortifi

INLET Complete type 23761/23771


Step by step to optimal hand sanitation

Efficient hand hygiene at the production entry

Controlled process flow

- Hand cleaning
 - 2 versions: Type 23761 with water/soap mixture
 - Type 23771 with water/soap separated
- Hand drying with high performance hot air blower with integrated F8 air filter (optional with paper dispensers)
- All-round hand disinfection with 4 spray nozzles
- Every step is visualized by a LED symbol light
- Potential-free contact to open automatic doors after completed sanitation process
- Units can be alternatively equipped with a two-arm turnstile supporting easier escape in case of emergency
- Option to connect time recording systems, signal horns, etc.
- Combinable with the ITEC Star Clean IV series
- Left- and right-hand version available



ITEC[®]

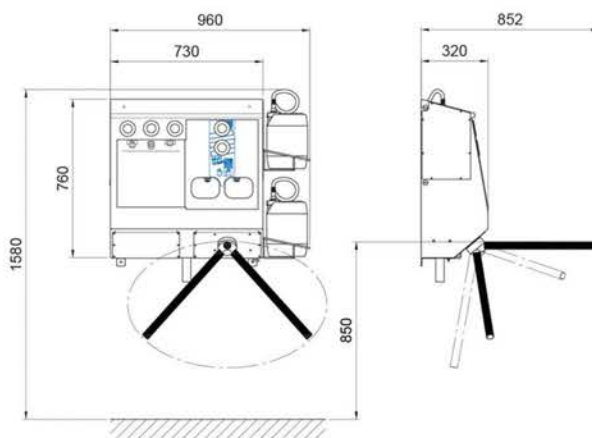
FRONTMATEC

By Fortifi

Technical data

Connection to the network	230V/N/PE
Network frequency	50-60 Hz
Rated power	1.9 KW
Voltage	24V DC
Protective device	IP65
Water supply	KW½", WW½"
Drain	DN40

Technical changes are subject to alterations.



INLET Complete type 23771 without turnstile



Star Clean IV type 23882 with Inlet Complete type 23761