

ITEC
FRONTMATEC
By Fortifi

ITEC
Control Point Solution

Inlet Control Typ 23740 for the entire food industry



HYGIENE





≡ INLET GATE Type 23742
All ITEC liquid soap and disinfectant dispensers are also available with a 2-arm turnstile.

EP 0961005A3



SUITABLE FOR ESCAPE!

≡ Photo 2



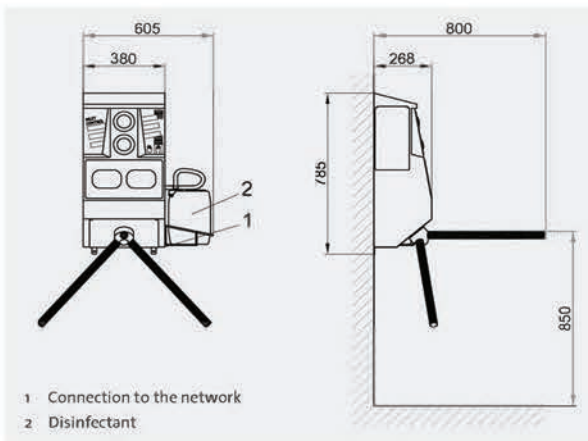
≡ Photo 3



≡ DUOTIZER Type 23701 as left-hand or right-hand version.



≡ Photo 5



- 1 Connection to the network
- 2 Disinfectant

Technical Data

Connection to the network:	230 V / N / PE / 50 - 60 Hz
Rated power:	0,3 kW
Voltage:	24 V
Protective device:	IP 65

Technical changes are subject to alterations.



≡ Motor-driven turnstile is passable in the opposite direction to the controlled hand cleaning.

Maintenance-free operation (approx. 8 million passages)

≡ Photo 6



more than HYGIENE

- ≡ Logistic
- ≡ Cutting
- ≡ Separator
- ≡ Storage
- ≡ Ergonomic
- ≡ Service
- ≡ Packing
- ≡ Automatic
- ≡ Engineering

ITEC GmbH

Auf dem Tigge 60 b + c
D-59269 Beckum-Westfalen
Deutschland
Phone +49 25 21-85 07 0
Fax +49 25 21-85 07 90
www.itec.de • info@itec.de

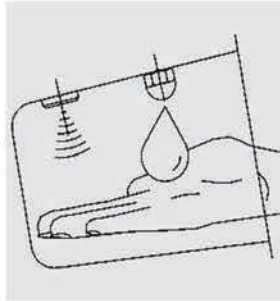
31910 GB

Step by step – otherwise access is denied Controlled access release after completed cleaning and

≡ **Application**
The INLET CONTROL Type 23740 for all areas where the disinfection of the hands has to be done compulsorily.

≡ The turnstile is reversible, i.e. when leaving the production zone the motordriven turnstile is always passable in the exit direction.

≡ The INLET CONTROL works as follows: both hands are put into the disinfectant dispenser unit at the same time and they are entirely sprayed with an adjustable portion of disinfectant. The complete moistening of the hands with disinfectant is guaranteed by specially positioned pairs of nozzles.



≡ The access to the highly sensitive production areas is only allowed after disinfecting the hands thoroughly, through a motor-driven turnstile. A traffic lights system shows when access is permitted.

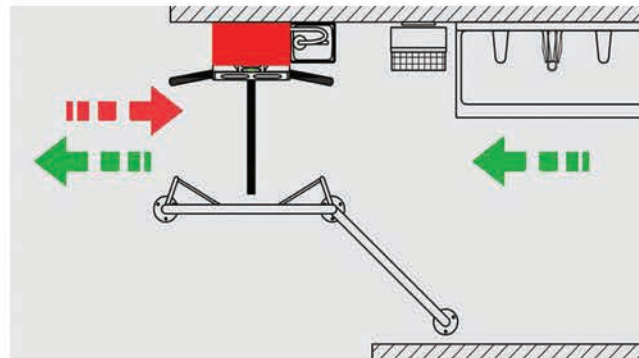
≡ Due to its compact dimensions and the combination of a disinfectant dispenser together with a turnstile in one cabinet, the INLET CONTROL can easily be installed in already existing buildings or even doorways.



≡ Step 1
Automatic application of liquid soap by the DUOSOAP Type 23741 with turnstile release.



≡ Step 2
Cleaning of the hands and forearms under running water.



≡ The hygienic conception enables a practical control of the hands' hygiene before entering the production zones by a compulsory step-by-step process of the hand disinfection.

≡ By the compulsory cleaning steps and the compulsorily controlled cleaning process for each staff member, a germ reduction of up to **log 5** is possible.



disinfecting of the hands



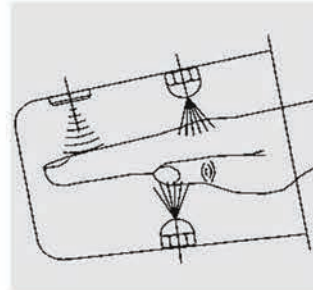
≡ Step 3
Drying of the hands with one-way/ disposable paper towels.



≡ Step 4
Disinfection of the hands by INLET CONTROL Type 23740 with turnstile release.

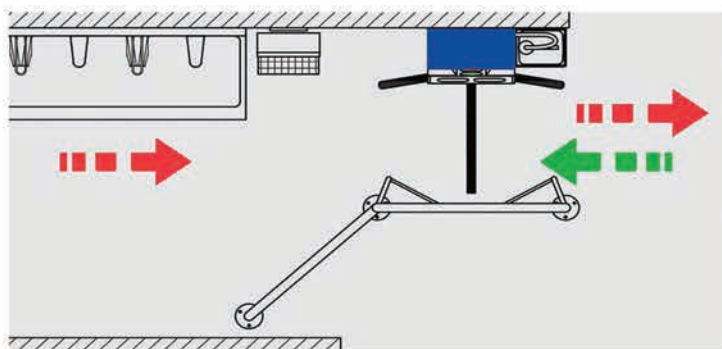
≡ The casing of the INLET CONTROL has been chosen in such a way that it corresponds to highest hygienic demands. The complete systems consists of stainless steel or other corrosion-free materials.

≡ For uncompromising personnel hygiene at production entries the Inlet Control can be combined with all ITEC walk-through sole cleaning and sole disinfection units.



For cleaning of hands: Cleaning basins with sensor-controlled tap, lever disinfectant dispensers unit for liquid soap and paper towel dispensers are at the user's disposal.

The access to the sensitive areas is only allowed after completion of an intensive disinfection of the hands by a motor-driven turnstile.



≡ The simple procedure can easily be integrated into the flow of personnel, as up to 20 people per minute can enter the production area through the turnstile.

≡ When leaving the production zones the turnstiles are freely passable. At the hand wash basins the hands are cleaned by soap and water, as at present.



≡ Photo 1