

ITEC[®]
FRONTMATEC
 By Fortifi

Inlet Control Twist
 type 23743


Controlled hand disinfection

Ergonomic, variable, safe!

Controlled access release after completed disinfecting of the hands

- Safe hand disinfection and controlled access
- Ergonomic and user-friendly disinfectant/soap removal due to individually adjustable upper housing
- All-round hand disinfection with special spray nozzles
- Complete moistening of the hands with disinfectant
- Access clearance by motor-driven turnstile after hand disinfection, visualized by traffic light LEDs red-green
- Durable, low-maintenance, motor-driven turnstile with various adjustment options
- Connection for card readers
- Adjustable quantity of disinfectant
- Canister empty signal
- Compact dimensions and low installation costs - can be integrated into existing hygiene sluices
- Combinable with all ITEC continuous machines for sole cleaning and disinfection

Why Inlet Control Twist!

- Ergonomic and user-friendly operation
- Secure access control
- Flexible and simple installation
- Left- and right-hand version available
- Easy integration into existing production access
- Service-friendly construction

ITEC[®]

FRONTMATEC

By Fortifi

Options

- Available in both left- and right-hand versions
- Pedestal for floor mounting

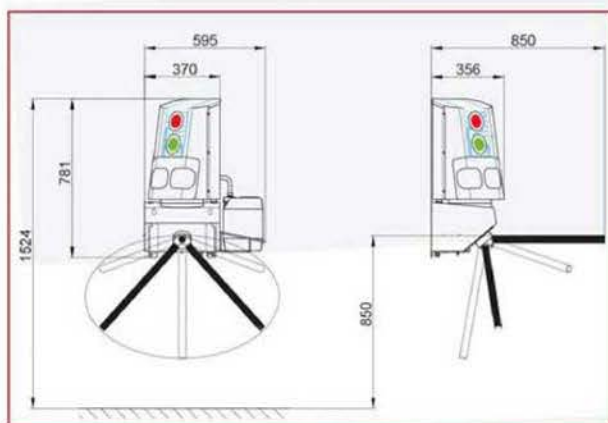
Technical data

Connection to the network	230V/N/PE
Network frequency	50-60 Hz
Rated power	0.3 kW
Voltage	24V DC
Protective device	IP65

Technical data may be subject to changes



Can be combined with all ITEC walk-through sole cleaners



The position of the upper housing is ergonomically adjustable

